

FS 170

Grid 1,91
Spring travel 6,35 mm

Technical Data

Minimum grid distance:	1,91 mm
Maximum spring travel:	6,35 mm
Recommended lifting height:	80%
Spring force at 4/5 spring travel:	0,6 / 1,0 / 1,5 / 2,0 / 2,8 N
E-value (collar height) defines the installation height	0,0 mm
Rated current:	3 - 4 A
Contact resistance:	<20 mΩ
Pin housing:	Nickel-Silver or Bronze, gold-plated
Barrel:	Nickel-Silver or Bronze, gold-plated
Spring:	Steel, gold-plated or Stainless Steel
Piston:	BeCu or Steel, gold-plated

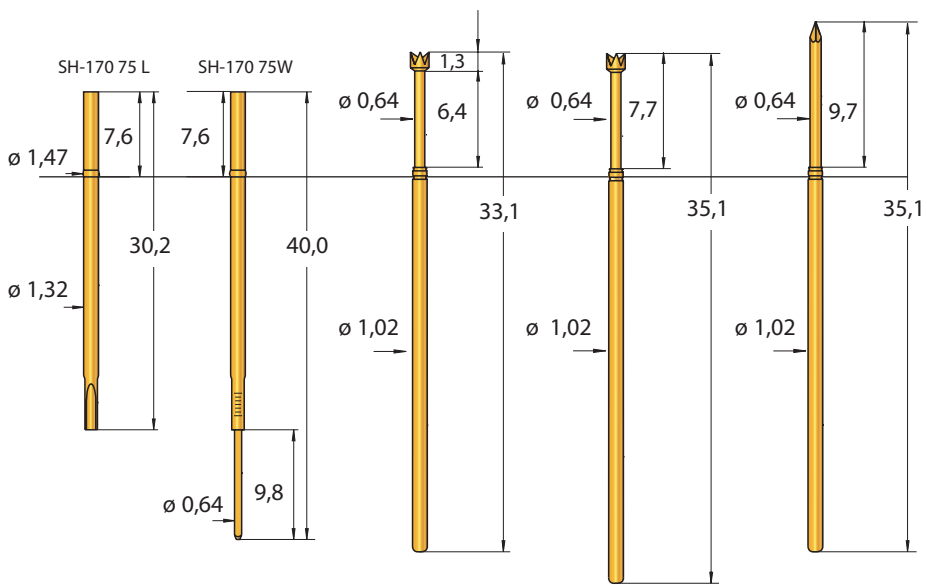


Figure	Type	ø(mm)	Electro- plating
	IK	1,20	A
	KR	0,50 0,64 0,80 1,00 1,15	A A A A A
	RD	0,50 0,64	A A
	RI	1,00 1,20	A A
	RS	0,64 1,00 1,20	A A A
	FS	0,64	A
	SK	2,00	A

Alternative Head shapes are available.

Sample Order:

Series	Head Shape	Ø Head	Electroplating	Lifting Height	Spring Pin	Collar Height
FS 254	FL	20	A	50	15	10

